



Hobbs LCD Hour Meters

98000 Series

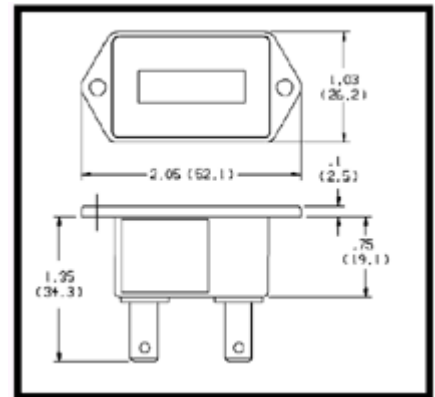
Features

- Totally sealed from moisture and dirt
- Direct replacement for current hour meter
- No battery backup needed
- Fits in existing panel openings
- Custom bezels and dial artwork available
- Snap-in retainer mount combines easy installation with rugged design
- Compact Depth
- Rugged Design
- Pulse Counter Option
- Reset Option
- Run Indicator



2 Screw Standard Bezel

Operating Voltage	Terminals	Part #
9 to 64 VDC	2 terminal	98310
9 to 64 VDC	3 terminal with enable	98320
9 to 64 VDC	4 terminal resettable	98300

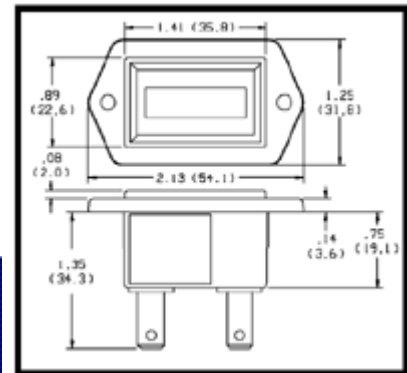


2 Screw Standard:
Panel cutout 1.45 x .95 rectangular opening Two .150 holes spaced 1.750*



2 Screw Deluxe Bezel

Operating Voltage	Terminals	Part #
9 to 64 VDC	2 terminal	98313
9 to 64 VDC	3 terminal with enable	98323
9 to 64 VDC	4 terminal resettable	98303



2 Screw Deluxe:
Panel Cutout 1.45 x .95 rectangular opening Two .150 holes spaced 1.750*

* Panel cutout dimensions are $\pm .010$ tolerance
All dimensions shown in inches and (metric)

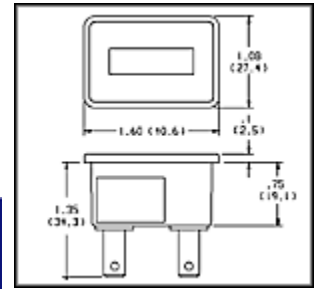
LCD Meter Applications

- Garden Tractors
- Generators
- Utility Vehicles
- Construction Equipment
- Material Handling Equipment
- Recreational Vehicles
- Medical
- Electronic Panels
- Rental Equipment
- Boom Lifts
- Pressure Washers
- Sweepers
- Test Equipment

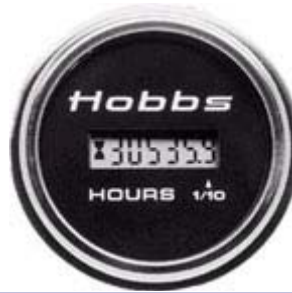
* Panel cutout dimensions are ± .010 tolerance
All dimensions shown in inches and (metric)

Retainer Mount

Operating Voltage	Terminals	Part #
9 to 64 VDC	2 terminal	98311
9 to 64 VDC	3 terminal with enable	98321
9 to 64 VDC	4 terminal resettable	98301

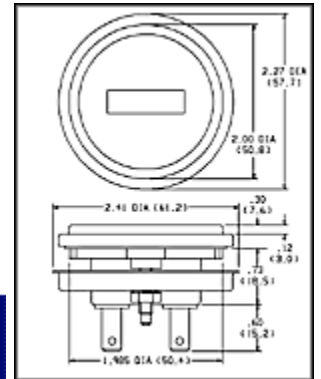


Retainer Mount:
Panel cutout 1.45 x .95 rectangular opening *

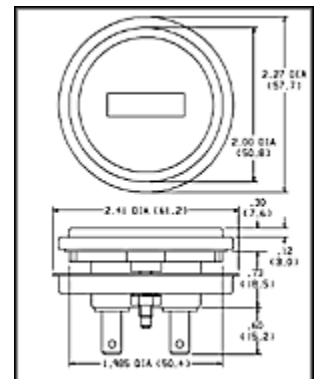


Round Chrome Bezel

Operating Voltage	Terminals	Part #
9 to 64 VDC	2 terminal	98314
9 to 64 VDC	3 terminal with enable	98324
9 to 64 VDC	4 terminal resettable	98304



Flush Mount (Retainer) 2.27":
Panel cutout 2.00 diameter opening *



Round Black Bezel

Flush Mount (Retainer) 2.27":
Panel cutout 2.00
diameter opening *

<i>Operating Voltage</i>	<i>Terminals</i>	<i>Part #</i>
<i>9 to 64 VDC</i>	<i>2 terminal</i>	<i>98312</i>
<i>9 to 64 VDC</i>	<i>3 terminal with enable</i>	<i>98322</i>
<i>9 to 64 VDC</i>	<i>4 terminal resettable</i>	<i>98302</i>